

DN80 TO DN100  
MAINLINE ONLY

The information on this sheet is Private and Confidential and is the property of Crane Process Flow Technologies Limited and must not be published directly or indirectly in any manner whatsoever without the written permission of the Company and must not be used in any way detrimental to their interests.  
© Crane Process Flow Technologies

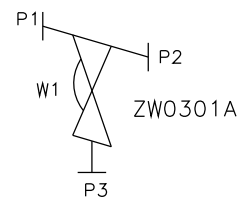
**CRANE** Process Flow Technologies  
A Crane Co. Company

**Saunders**  
The Science Inside

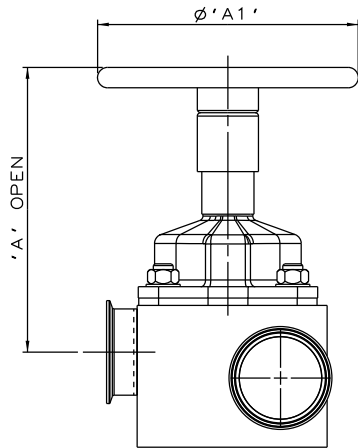
Title  
SCHEDULE OF LEADING DIMENSIONS FOR DN80  
WEIR 'T' BODY COMPLETE WITH :  
MAINLINE : HYGIENIC CLAMP ENDS WITH ISO 1127 S1 BORE  
BRANCH : DN80 HYGIENIC CLAMP END WITH ISO 1127 S1 BORE

|                                       |               |                                     |                        |
|---------------------------------------|---------------|-------------------------------------|------------------------|
| Drawn R1                              | Date 07.02.12 | UNCONTROLLED IN<br>HARD COPY FORMAT |                        |
| Checked RND                           | Date 23.03.12 |                                     |                        |
| First Angle<br>Projection<br>Method E |               | DO<br>NOT<br>SCALE                  | Drawing No.<br>WEB-128 |
|                                       |               |                                     | Issue.<br>1            |

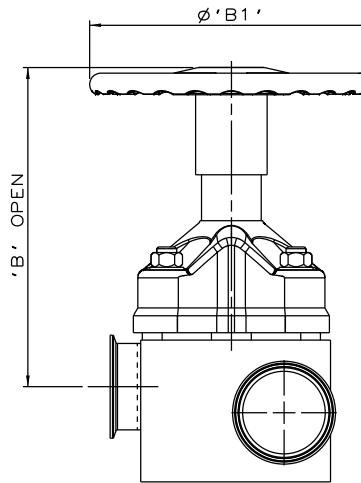
| MAINLINE SIZE | A    | B    | C    | D    | øE    | øF    | BODY WEIGHT |
|---------------|------|------|------|------|-------|-------|-------------|
| mm            | mm   | mm   | mm   | mm   | mm    | mm    | Kgs         |
| DN80          | 50.0 | 50.0 | 49.9 | 68.5 | 105.9 | 83.7  | 18.8        |
| DN100         | 50.0 | 50.0 | 62.6 | 82.0 | 130.0 | 109.1 | 25.4        |



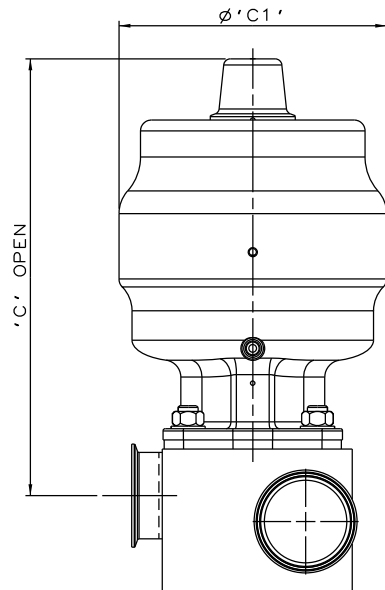
ORIENTATION AS  
PER P&ID DIAGRAM FOR  
OPTIMUM DRAINABILITY.



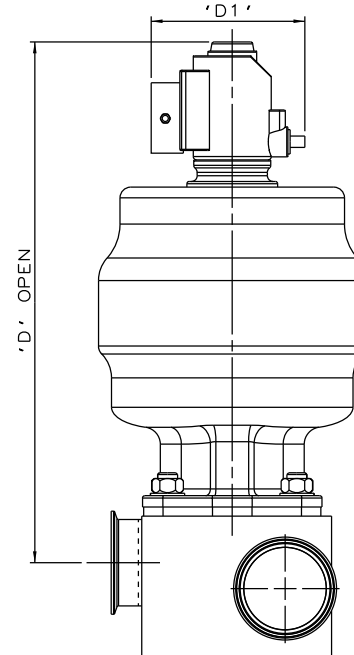
SS NON SEALED  
BONNET ASSEMBLY



PES BONNET  
ASSEMBLY



\*S360 ACTUATOR



\*S360 ACTUATOR  
WITH I-VUE SENSOR

\*DIMENSIONS SHOW MAXIMUM ENVELOPE FOR ALL MODES

| BRANCH SIZE |      | A     |       | A1    |      | B     |       | B1    |      | C     |       | C1    |      | D     |       | D1    |      |
|-------------|------|-------|-------|-------|------|-------|-------|-------|------|-------|-------|-------|------|-------|-------|-------|------|
| mm          | inch | mm    | inch  | mm    | inch | mm    | inch  | mm    | inch | mm    | inch  | mm    | inch | mm    | inch  | mm    | inch |
| DN80        | 3.00 | 257.5 | 10.14 | 230.0 | 9.06 | 297.5 | 11.71 | 250.0 | 9.84 | 405.5 | 15.96 | 236.0 | 9.29 | 478.5 | 18.84 | 136.0 | 5.33 |

The information on this sheet is Private and Confidential and is the property of Crane Process Flow Technologies Limited and must not be published directly or indirectly in any manner whatsoever without the written permission of the Company and must not be used in any way detrimental to their interests.  
© Crane Process Flow Technologies

**CRANE** Process Flow Technologies  
A Crane Co. Company

**Saunders**  
The Science Inside

Title  
SCHEDULE OF LEADING DIMENSIONS FOR DN80/3.00  
WEIR 'T' BODY WITH  
HYGIENIC CLAMP ENDS WITH ISO 1127 S1 BORE.  
FITTED WITH TOPWORKS OPTIONS

|                                       |                    |                                     |             |
|---------------------------------------|--------------------|-------------------------------------|-------------|
| Drawn RI                              | Date 09.05.17      | UNCONTROLLED IN<br>HARD COPY FORMAT |             |
| Checked RND                           | Date 09.05.17      |                                     |             |
| First Angle<br>Projection<br>Method E | DO<br>NOT<br>SCALE | Drawing No.<br>WEB-128-ASSY         | Issue.<br>1 |